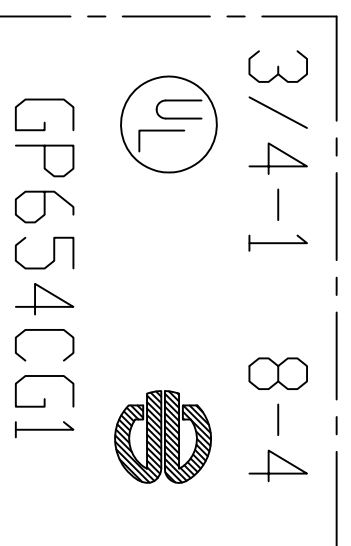
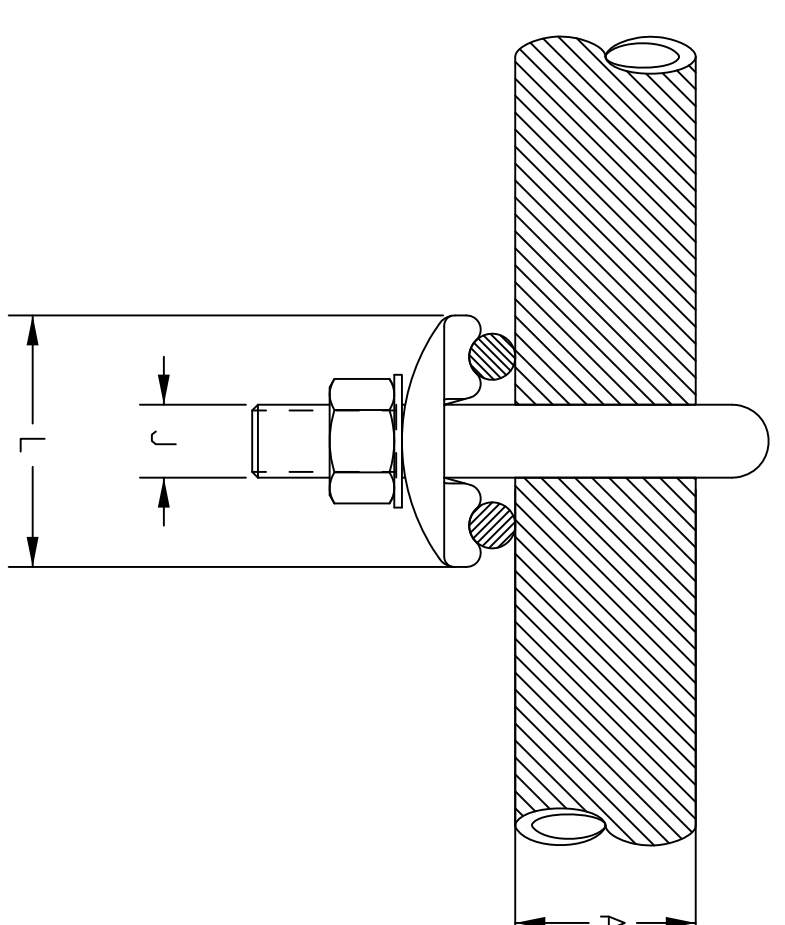
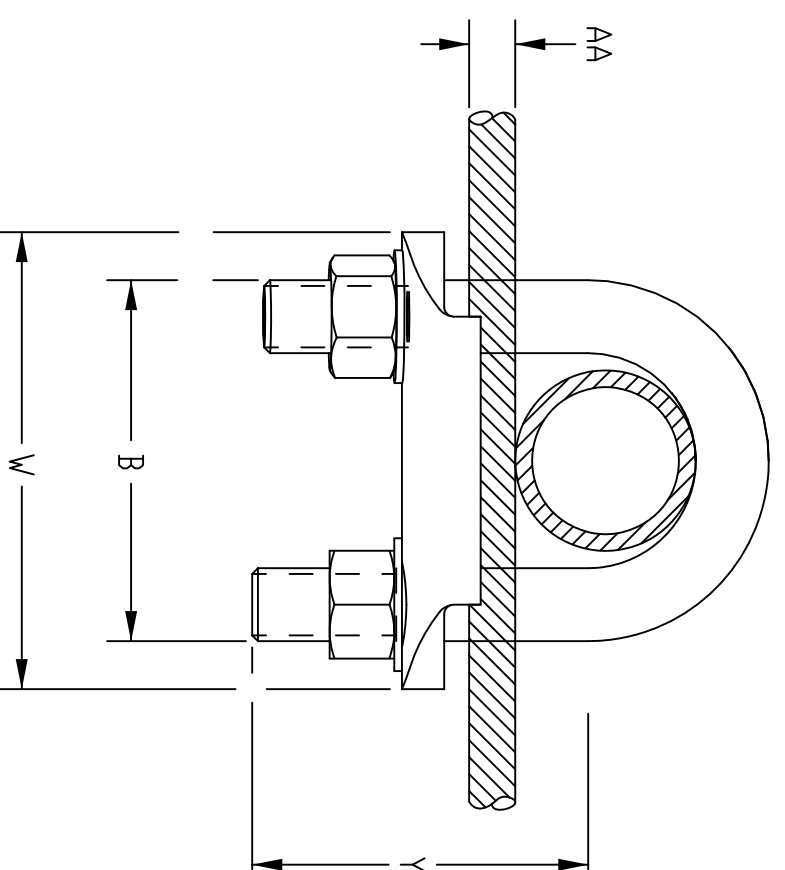


ITEM NO.	DESCRIPTION	QTY.
1	RAISED FLOOR CLAMP	1

CATALOG NUMBER	DESCRIPTION
HGBGP1526G1	RAISED FLOOR CLAMP, COPPER, ROUND

A		AA		B		J	L	W	"U" BOLT	TORQUE		
TUBING ACCOMMODATED		COPPER CONDUCTOR ACCOMMODATED (ONE OR TWO CONDUCTORS)		METRIC WIRE SIZE								
ROUND	SQUARE	AWG	MIN	MAX	MIN	MAX						
1 1/4 [32]	--	8 SDL (4129)	2/0 STR (416)	10mm ² SDL [36]	70mm ² STR [10.9]	1.75 [44]	3/8 [10]	1.69 [43]	2.62 [67]	UB244	Lb*In 240	N*m 27



LETTERING VIEW

NOTES:

- SPECIFICATIONS SUBJECT TO CHANGE WITHOUT NOTICE.
- UL 467 LISTED
- ACCOMMODATES 1 OR 2 CONDUCTORS.

REV.	ECN	DATE	DESCRIPTION	CHG BY	APPD BY
1	17862	3/5/12	INITIAL RELEASE	CG	

Created on AUTOCAD

DIMENSIONING AND TOLERANCE PER
ANSI Y14.5M-1982
UNLESS OTHERWISE SPECIFIED,
DIMENSIONS ARE IN INCHES (MM).
TOLERANCES
.XX = ±.01 (.25)
.XXX = ±.005 (.127)
.XXXX = ±.0025 (.0635)
ANGLE TOL ±1°

PROJECT REFERENCE:
2011-041

MATERIAL:
CAST COPPER ALLOY
SILICON BRONZE U-BOLT, HEX,
NUT, & SPLW.

DRAWN BY:
C. GRIBBLE 3/5/12

CHECKED BY:

APPROVED BY:

HUBBELL
Hubbell Premise Wiring
HUBBELL INCORPORATED (Delaware)
14 Lord's Hill Road, Stonington, Connecticut 06378

TITLE:
RAISED FLOOR CLAMP, CU, ROUND

SIZE: C
DRAWING NO.: HWS14028C
SCALE: 1/1

REV.: 1

SHEET: 1 OF 1